

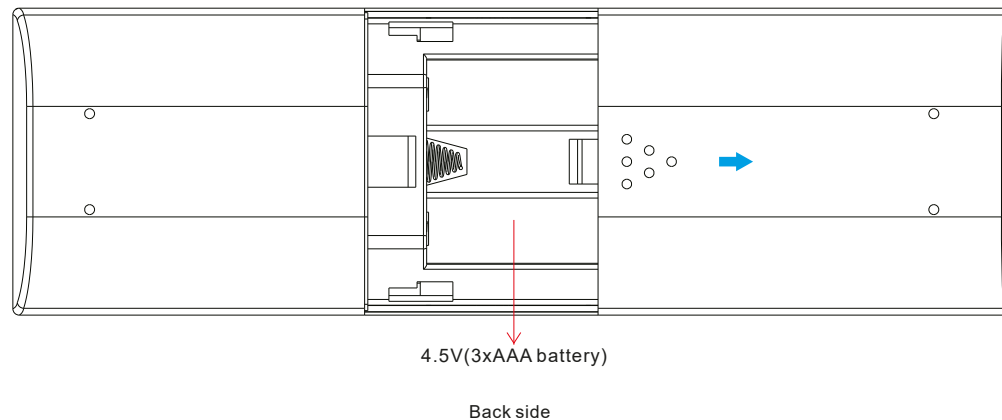
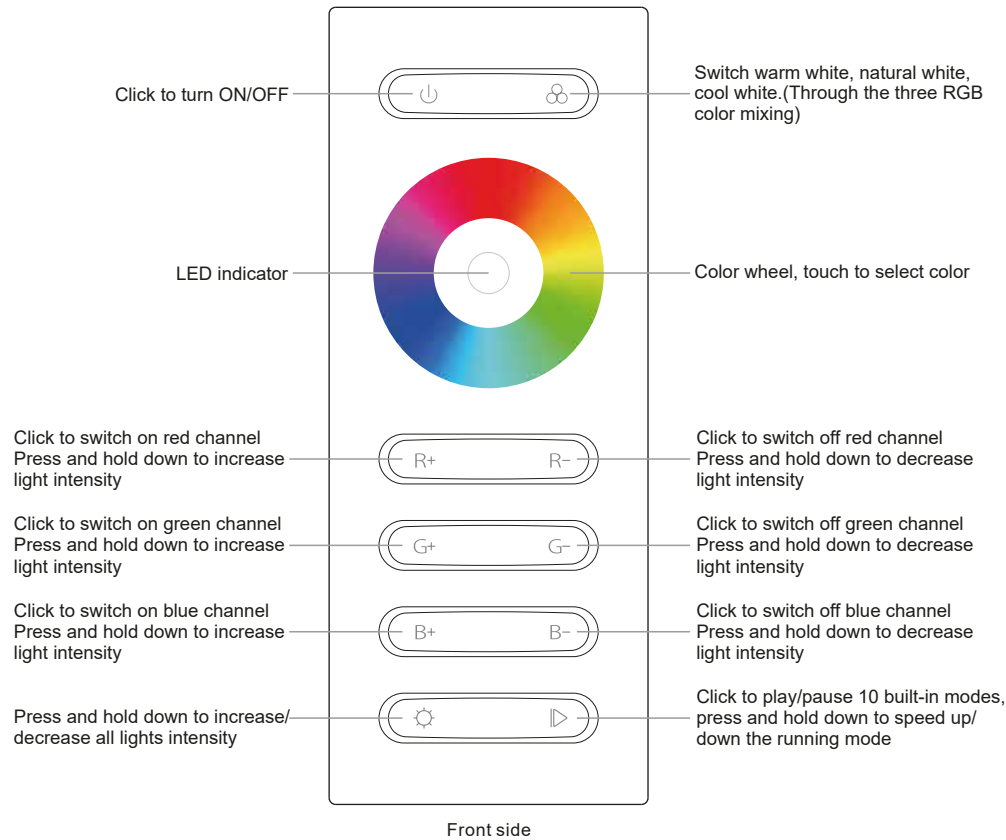
# RFR GBR emoteC ontroller

09.02839.04231



Important: Read All Instructions P rior to Installation

## Function i ntroduction



## Product Data

Output	RF signal
Operation Frequency	868/915/434MHz
Power Supply	4.5V(3xAAA battery)
Operating temperature	0-40°C
Relative humidity	8% to 80%
Dimensions	120x48x17.6mm

- Control 1 zone of RF receiver
- RGB color controller
- Compatible with universal serie RF receiver
- 1 receiver can be paired by max 8 different remote controls.
- Waterproof grade: IP20

## Safety & W arnings

- This device contains AAA batteries that shall be stored and disposed properly.
- DO NOT expose the device to moisture.

## Operation

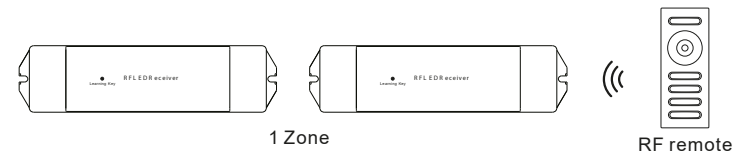
Pair with RF receivers:

Turn on the remote → Click "RF Code Key" on RF receiver → Touch the color wheel → LED lights connected with the RF receiver will flicker once → The receiver is paired with the remote successfully.

How to delete the pairing:

Press and hold down "RF Code Key" on the receiver for over 3 seconds until connected LED lights flicker twice, which means the pairing is deleted successfully.

If you use multiple receivers, you can have all the receivers in the same zone



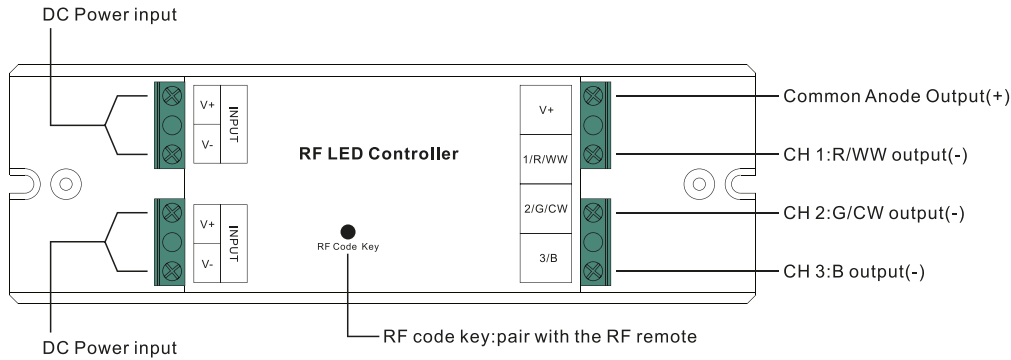
# RF Receiver

09.01029.04296



**Important:** Read All Instructions Prior to Installation

## Function introduction



## Product Data

Input Voltage	Output Current	Output Power	Remarks	Size(LxWxH)
12-24VDC	3x5A	3x(60-120)W	Constant voltage	145x46.5x16mm

- Radio Frequency : 868/915/434mhz
- Waterproof grade: IP20

## Safety & Warnings

- DO NOT install with power applied to device.
- DO NOT expose the device to moisture.

## Operation

Do wiring according to connection diagram.

Pair RF Receiver with RF remote:

1. Connect and wire up the RF receiver correctly, power on.
2. Turn on the remote, click the **“RF Code Key”** button on receiver, immediately click a zone number to pair the receiver to the specified zone if the remote is a multi-zone controller (if it is a single zone remote, this step is unnecessary), then touch the color wheel or slider bar on the remote (if the remote does not have color wheel or slider bar, click or touch any keys), the connected led light on receiver flickers twice, which means well paired.

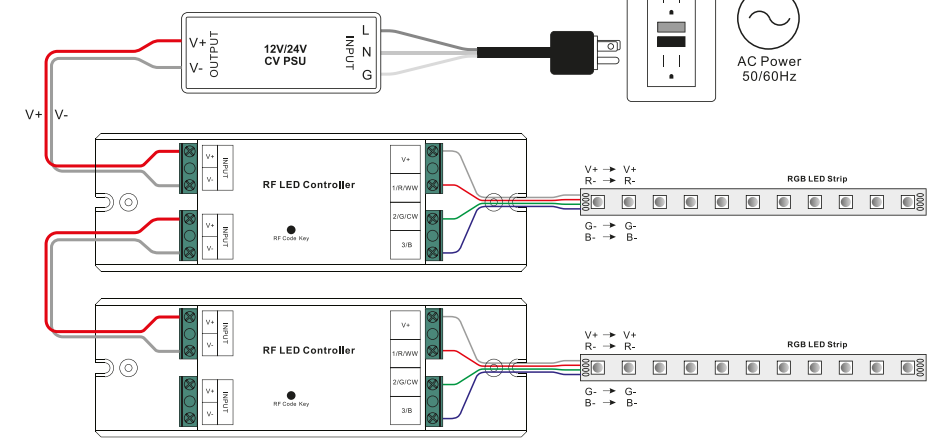
**Note:** one receiver can be paired with max 8 remote controls.

Delete the pairing:

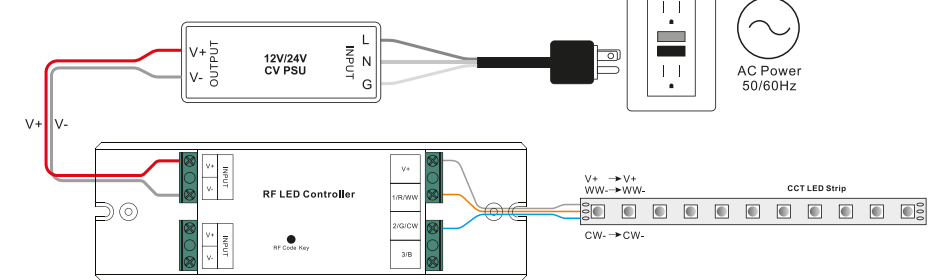
1. Wire up the RF receiver correctly, power on
2. Hold down the **“RF Code Key”** button on receiver for over 3 seconds until the connected led light on receiver flickers twice, which means well deleted.

## Wiring Diagram

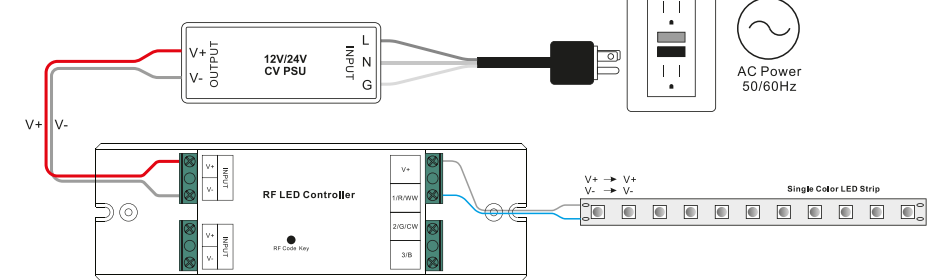
With RGB color LED strip



With dual color LED strip

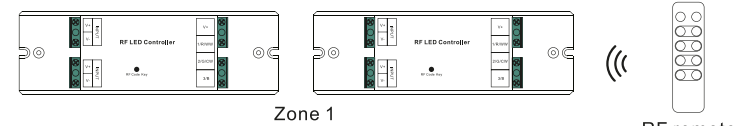


With single color LED strip



**If you use multiple receivers, you have two choices:**

Option 1: have all the receivers in the same zone, like zone 1



Option 2: have each receiver in a different zone, like zone 1, 2, 3 or 4

