

CROWN OPTO S2



ITEM DESCRIPTION



In front of you – technical information of the updated Crown OPTO S2 module. Crown OPTO S2 was a really good option for illuminating middle-range depth letters and light boxes, but now it is even better. We have equipped S2 with a better LED, resulting in increased life time to L70 50 000 h, hence granting 5 years 24/7 warranty. Crown OPTO S2 – a great option for middle-range depth projects when economical, although quality solution is needed.

APPLICATION

- Channel letters signs and light boxes
- Recommended depth 70 – 140 mm

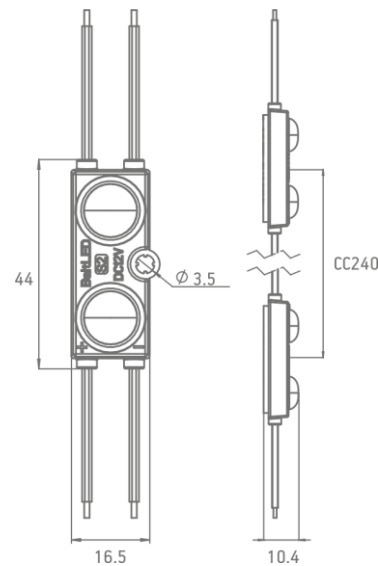
FEATURES & BENEFITS

- Compact design
- Efficiency up to 105 lm/W
- IP67 protection class
- 5 year warranty

GENERAL SPECIFICATIONS

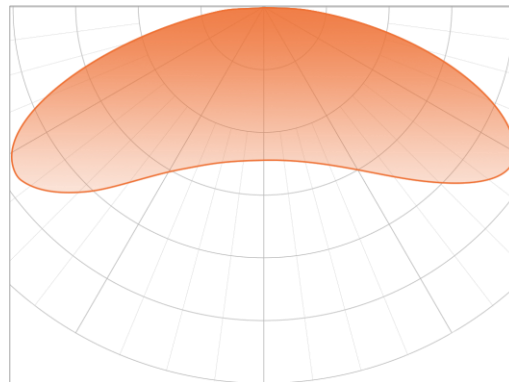
SUPPLY VOLTAGE	12 VDC
POWER	1 W
RECOMMENDED DEPTH	From 70 to 140 mm
CC DISTANCE	240 mm
BINNING	3 SDCM
OPERATING TEMPERATURE	-30 °C ~ +50 °C
STORAGE TEMPERATURE	+5 °C ~ +70 °C
STORAGE CONDITIONS	Relative humidity <60%
CERTIFICATION	CE and RoHS compliant
IP CLASS	IP 67
LIFETIME	L70 50,000 h
WARRANTY	5 years (24/7)*

*Warranty is applied only and if storage, mounting and maintenance conditions, stated in the installation guide, are followed.



* Dimensions are in mm

LIGHT DISTRIBUTION GRAPH



Beam angle: 160°

ORDERING INFORMATION

SKU	POWER, W	LUMEN OUTPUT, LM	COLOUR TEMP.	STATUS
BMP-S2-02UH160CW651	1.0	105	6600 K	IN STOCK
BMP-S2-02UH160CW652	1.0	105	6500 K	IN STOCK
BMP-S2-02UH160NW401	1.0	102	4000 K	PRE-ORDER**
BMP-S2-02UH160NW301	1.0	102	3000 K	PRE-ORDER**

** Pre-order products will be available only with MOQ from 3000 EUR, lead time 3 – 8 weeks. For precise lead time, contact your Customer Service manager.

** Pre-order products will be available only with MOQ from 3000 EUR, lead time 3 – 8 weeks. For precise lead time, contact your Customer Service manager.

CHAIN	BAG	BOX
40 pcs (net weight: 0.340 kg)	120 pcs (net weight: 1.050 kg)	1080 pcs (net weight: 9.900 kg)